

TERRAMAX[®] MOTORS TCA SERIES



TCA series motors, built on the global low voltage TerraMAX platform, are IE3 efficiency totally enclosed fan cooled motors suitable for general industry applications. The TCA series motors inherit the premium features of futuristic TerraMAX motor platform, while delivering energy savings for the industry. The rugged construction of the TCA series motors meets the industry requirement for all tough and demanding applications.

SPECIFICATIONS

- Output: 0.75kW to 375kW (1HP to 500HP)
- Pole: 2 to 8 pole
- Frame: IEC 80 – 355
- Standards: Confirms to IEC 60034
- Power supply: Available for voltages between 200V to 690V and frequency 50 or 60Hz
- Ambient: 40°C (Higher ambient on request)
- Construction: Cast iron with integrally cast feet
- Drive Suitability: S suitable for variable torque duty (10:1)
- Terminal box: Cast iron with special captive screws and metric cable entry
- Connection: ≤ 3kW: Star connection, > 3kW: Delta connection
- Protection: IP55 (higher protection class on request)
- Insulation: Class F with class B temperature rise
- Bearings: Shielded bearings for IEC 80-180
- Fan: Bi-directional fan
- Mounting: All standard mountings B3, B5, B35, V1 (B14 and B34 for IEC 80-132)

OPTIONAL ACCESSORIES

Space heaters, RTD, BTD, cable glands, brakes, encoders and canopy for V1 mounting. For additional details, please contact our technical support team.

APPLICATIONS

- Machine tools
- Pumps
- Crane & hoist
- Material handling
- Fans
- Compressors
- Conveyors
- Packing equipments

CERTIFICATIONS (ON REQUEST)



The following trademarks and/or trade names are not owned or controlled by Regal Rexnord Corporation: BIS is a trademark of Bureau of Indian Standards; CCC is a trademark of Certification and Accreditation Administration of the People's Republic of China; CE is a trademark of European Unions; CSA is a trademark of CSA Group; UL is a trademark of Underwriters Laboratories.



PERFORMANCE DATA - TCA(IE2) SERIES MOTORS (50HZ)

Model No.	Frame	Rated (kW)	50 Hz Supply											Moment of Inertia (kgm ²)	Weight (kg)
			Speed (RPM)	Full Load Amp			Power factor	Efficiency			Starting Current (I _{LR} /I _{RATED})	Starting Torque (T _{LR} /T _{RATED})	Breakdown Torque (T _{BD} /T _{RATED})		
				380V	400V	415V		100%	75%	50%					
2 POLE MOTORS															
TCAP751A.1..G.....	80M	0.75	2880	1.7	1.6	1.6	0.83	80.7	80.7	75.6	6.5	3.0	3.3	0.0013	18.5
TCA1P11A.1..G.....	80M	1.1	2878	2.4	2.3	2.2	0.84	82.7	82.7	79.3	6.8	3.2	3.3	0.0016	20.0
TCA1P51A.1..G.....	90S	1.5	2888	3.2	3.0	2.9	0.85	84.2	84.2	81.8	7.5	3.5	3.5	0.0021	24.5
TCA2P21A.1..G.....	90L	2.2	2889	4.4	4.2	4.0	0.88	85.9	85.9	84.7	8.1	3.8	3.6	0.0029	28.0
TCA0031A.1..G.....	100L	3	2889	5.8	5.5	5.3	0.90	87.1	87.1	86.6	7.9	3.2	3.6	0.0042	38
TCA3P71A.1..G.....	100L	3.7	2880	-	-	6.3	0.93	87.8	87.8	88.4	7.7	3.3	3.5	0.0058	45
TCA0041A.1..G.....	112M	4	2921	7.7	7.3	7.0	0.90	88.1	88.1	88.1	8.6	2.7	3.7	0.0101	47
TCA5P51A.1..G.....	132S	5.5	2936	10.5	10.0	9.6	0.89	89.2	89.2	87.7	7.7	2.4	3.6	0.0184	75
TCA7P51A.1..G.....	132S	7.5	2934	14.1	13.4	12.9	0.90	90.1	90.1	89.3	7.8	2.6	3.6	0.0214	81
TCA0111A.1..G.....	160M	11	2955	20.6	19.6	18.9	0.89	91.2	91.2	89.7	7.9	2.3	3.7	0.0626	135
TCA0151A.1..G.....	160M	15	2956	27.9	26.5	25.5	0.89	91.9	91.9	90.9	8.4	2.6	3.9	0.0754	148
TCA18P1A.1..G.....	160L	18.5	2953	33	32	31	0.91	92.4	92.4	91.9	8.1	2.6	3.6	0.0928	172
TCA0221A.1..G.....	180M	22	2961	41	39	38	0.87	92.7	92.7	91.3	7.4	2.2	3.6	0.1399	207
TCA0301A.1..G.....	200L	30	2973	57	55	53	0.85	93.3	93.3	91.6	7.4	2.1	3.7	0.2430	266
TCA0371A.1..G.....	200L	37	2974	70	66	64	0.86	93.7	93.7	92.5	7.8	2.4	3.8	0.2934	296
TCA0451A.1..G.....	225M	45	2978	84	79	77	0.87	94.0	94.0	92.7	8.0	2.2	3.9	0.4264	399
TCA0551A.1..G.....	250M	55	2977	100	95	91	0.89	94.3	94.3	93.0	7.0	1.9	3.4	0.6214	489
TCA0751A.1..G.....	280S	75	2983	137	130	125	0.88	94.7	94.7	93.2	7.9	2.1	3.8	1.079	669
TCA0901A.1..G.....	280M	90	2982	162	154	148	0.89	95.0	95.0	93.9	7.6	2.1	3.6	1.181	723
TCA1101A.1..G.....	315S	110	2983	199	190	183	0.88	95.2	95.2	92.7	7.2	2.0	3.6	2.227	975
TCA1321A.1..G.....	315M	132	2984	236	224	216	0.89	95.4	95.4	93.3	7.4	2.2	3.7	2.424	1025
TCA1601A.1..G.....	315L	160	2983	286	271	262	0.89	95.6	95.6	94.0	7.3	2.2	3.6	2.764	1151
TCA2001A.1..G.....	315L	200	2984	356	339	326	0.89	95.8	95.8	94.6	7.3	2.3	3.6	3.091	1231
TCA2501A.1..G.....	355M	250	2983	441	419	403	0.90	95.8	95.8	94.2	6.9	2.0	3.3	4.073	1717
TCA3151A.1..G.....	355L	315	2984	555	527	508	0.90	95.8	95.8	94.9	7.0	2.1	3.3	4.743	1856
TCA3551A.1..G.....	355L	355	2987	633	601	579	0.89	95.8	95.8	95.0	8.6	2.8	4.0	5.796	2082
TCA3751A.1..G.....	355L	375	2986	661	628	605	0.90	95.8	95.8	95.2	8.1	2.6	3.7	5.796	2082
4 POLE MOTORS															
TCAP752A.1..G.....	80M	0.75	1446	1.8	1.7	1.7	0.75	82.5	82.5	77.6	6.6	3.0	3.0	0.0031	21.5
TCA1P12A.1..G.....	90S	1.1	1450	2.6	2.5	2.4	0.77	84.1	84.1	79.1	6.8	2.9	3.4	0.0045	24.5
TCA1P52A.1..G.....	90L	1.5	1448	3.5	3.3	3.2	0.77	85.3	85.3	80.3	7.0	3.0	3.4	0.0052	26.0
TCA2P22A.1..G.....	100L	2.2	1456	4.6	4.4	4.2	0.84	86.7	86.7	85.1	7.0	2.3	2.9	0.0115	39
TCA0032A.1..G.....	100L	3	1458	6.2	5.9	5.7	0.84	87.7	87.7	86.2	7.7	2.6	3.1	0.0145	44
TCA3P72A.1..G.....	112M	3.7	1460	-	-	7.1	0.82	88.4	88.4	87.7	7.5	1.8	2.8	0.0192	54
TCA0042A.1..G.....	112M	4	1457	8.3	7.9	7.6	0.83	88.6	88.6	88.1	8.4	3.2	3.6	0.0192	54
TCA5P52A.1..G.....	132S	5.5	1468	11.1	10.5	10.2	0.84	89.6	89.6	89.7	6.7	2.3	2.7	0.0446	83
TCA7P52A.1..G.....	132M	7.5	1470	15.2	14.4	13.9	0.83	90.4	90.4	90.4	7.5	2.8	3.0	0.0550	93
TCA0112A.1..G.....	160M	11	1475	21.8	20.7	19.9	0.84	91.4	91.4	90.6	7.3	2.5	3.3	0.1200	147
TCA0152A.1..G.....	160L	15	1476	29.1	27.7	26.7	0.85	92.1	92.1	91.6	7.6	2.7	3.4	0.1597	178
TCA18P2A.1..G.....	180M	18.5	1477	37	35	33	0.83	92.6	92.6	92.2	7.3	2.5	3.3	0.2209	218
TCA0222A.1..G.....	180L	22	1478	44	42	40	0.82	93.0	93.0	92.5	7.5	2.7	3.5	0.2415	237
TCA0302A.1..G.....	200L	30	1479	57	54	52	0.85	93.6	93.6	93.6	6.6	2.2	2.9	0.4488	271
TCA0372A.1..G.....	225S	37	1484	70	67	64	0.85	93.9	93.9	94.0	7.3	2.4	3.1	0.6683	381
TCA0452A.1..G.....	225M	45	1483	85	81	78	0.85	94.2	94.2	94.2	7.2	2.4	3.0	0.7130	394
TCA0552A.1..G.....	250M	55	1487	103	98	94	0.86	94.6	94.6	94.0	7.2	2.2	3.4	1.397	535
TCA0752A.1..G.....	280S	75	1489	138	131	126	0.87	95.0	95.0	94.0	6.4	2.3	2.7	2.230	713
TCA0902A.1..G.....	280M	90	1489	165	157	151	0.87	95.2	95.2	94.5	6.4	2.4	2.7	2.384	755
TCA1102A.1..G.....	315S	110	1487	199	189	182	0.88	95.4	95.4	95.0	6.5	1.9	2.9	3.448	962
TCA1322A.1..G.....	315M	132	1488	238	226	218	0.88	95.6	95.6	95.2	6.8	2.1	3.0	3.758	1016
TCA1602A.1..G.....	315L	160	1488	288	274	264	0.88	95.8	95.8	95.6	6.9	2.2	3.1	4.442	1157
TCA2002A.1..G.....	315L	200	1488	356	338	326	0.89	96.0	96.0	95.8	6.9	2.2	3.0	5.062	1246
TCA2502A.1..G.....	355M	250	1490	445	422	407	0.89	96.0	96.0	95.8	6.5	1.9	2.5	8.443	1743
TCA3152A.1..G.....	355L	315	1489	554	526	507	0.90	96.0	96.0	96.2	6.2	1.8	2.3	10.176	1914
TCA3552A.1..G.....	355L	355	1490	624	593	572	0.90	96.0	96.0	96.2	6.9	2.1	2.5	10.945	1979
TCA3752A.1..G.....	355L	375	1490	659	626	604	0.90	96.0	96.0	96.3	6.6	2.1	2.4	11.138	2004

Blue Shaded: For sale by Regal Rexnord operations in India only. Performance per IS:12615
For 60Hz frequency-contact regional sales person

PERFORMANCE DATA - TCA(IE2) SERIES MOTORS (50HZ)

Model No.	Frame	Rated (kW)	50 Hz Supply											Moment of Inertia (kgm ²)	Weight (kg)
			Speed (RPM)	Full Load Amp			Power factor	Efficiency			Starting Current (I _{LR} /I _{RATED})	Starting Torque (T _{LR} /T _{RATED})	Breakdown Torque (T _{BD} /T _{RATED})		
				380V	400V	415V		100%	75%	50%					
6 POLE MOTORS															
TCA P753A.1..G.....	90S	0.75	946	2.3	2.1	2.1	0.64	78.9	78.9	71.1	4.8	3.0	3.1	0.0036	24.5
TCA1P13A.1..G.....	90L	1.1	941	3.1	3.0	2.9	0.66	81.0	81.0	74.8	4.8	3.0	3.0	0.0046	27.0
TCA1P53A.1..G.....	100L	1.5	966	3.7	3.5	3.4	0.74	82.5	82.5	77.8	5.9	2.2	2.7	0.0143	36
TCA2P23A.1..G.....	112M	2.2	958	5.4	5.2	5.0	0.73	84.3	84.3	82.4	5.9	2.5	2.8	0.0158	47
TCA0033A.1..G.....	132S	3	973	7.5	7.1	6.9	0.71	85.6	85.6	84.3	5.5	2.0	2.6	0.0390	67
TCA3P73A.1..G.....	132S	3.7	973	-	-	7.8	0.76	86.5	86.5	86.7	5.6	2.0	2.5	0.0494	74
TCA0043A.1..G.....	132M	4	973	9.5	9.0	8.7	0.74	86.8	86.8	85.9	5.6	2.1	2.6	0.0494	74
TCA5P53A.1..G.....	132M	5.5	973	12.5	11.9	11.4	0.76	88.0	88.0	88.0	5.9	2.2	2.6	0.0660	85
TCA7P53A.1..G.....	160M	7.5	976	16.0	15.2	14.6	0.80	89.1	89.1	88.7	5.3	1.8	2.4	0.1355	135
TCA0113A.1..G.....	160L	11	977	23.4	22.3	21.5	0.79	90.3	90.3	89.6	5.6	2.0	2.6	0.1811	163
TCA0153A.1..G.....	180L	15	982	32	30	29.3	0.78	91.2	91.2	90.7	6.1	2.1	2.7	0.3035	221
TCA18P3A.1..G.....	200L	18.5	984	38	36	35	0.80	91.7	91.7	91.6	5.8	2.0	2.4	0.5179	256
TCA0223A.1..G.....	200L	22	984	45	43	41	0.80	92.2	92.2	92.1	6.0	2.1	2.5	0.6070	277
TCA0303A.1..G.....	225M	30	987	59	56	54	0.83	92.9	92.9	91.9	6.8	2.2	2.9	0.9206	377
TCA0373A.1..G.....	250M	37	987	73	70	67	0.82	93.3	93.3	92.8	6.8	2.4	2.9	1.608	488
TCA0453A.1..G.....	280S	45	989	90	86	82	0.81	93.7	93.7	92.9	6.1	1.9	2.6	2.238	593
TCA0553A.1..G.....	280M	55	989	107	102	98	0.83	94.1	94.1	93.7	6.2	1.9	2.5	2.673	616
TCA0753A.1..G.....	315S	75	989	149	141	136	0.81	94.6	94.6	94.4	5.1	1.6	2.2	3.373	822
TCA0903A.1..G.....	315M	90	990	176	167	161	0.82	94.9	94.9	94.7	5.2	1.7	2.2	3.928	888
TCA1103A.1..G.....	315L	110	990	214	204	196	0.82	95.1	95.1	95.0	5.4	1.8	2.2	4.773	1013
TCA1323A.1..G.....	315L	132	990	253	241	232	0.83	95.4	95.4	95.2	5.4	1.9	2.2	5.466	1084
TCA1603A.1..G.....	355M	160	991	303	288	277	0.84	95.6	95.6	95.6	6.1	1.9	2.5	8.570	1618
TCA2003A.1..G.....	355M	200	991	373	355	342	0.85	95.8	95.8	95.9	6.0	1.9	2.5	9.915	1735
TCA2503A.1..G.....	355L	250	991	466	443	427	0.85	95.8	95.8	95.9	6.1	2.0	2.5	11.708	1889
8 POLE MOTORS															
TCA P754A.1..G.....	100L	0.75	723	2.3	2.2	2.1	0.66	75.0	75.0	69.5	4.8	1.8	2.7	0.0149	36
TCA1P14A.1..G.....	100L	1.1	721	3.2	3.0	2.9	0.67	77.7	77.7	72.9	4.8	1.9	2.7	0.0172	38
TCA1P54A.1..G.....	112M	1.5	715	4.2	4.0	3.9	0.68	79.7	79.7	77.8	4.7	1.9	2.4	0.0200	53
TCA2P24A.1..G.....	132S	2.2	723	5.8	5.5	5.3	0.70	81.9	81.9	81.3	4.4	1.8	2.3	0.0453	70
TCA0034A.1..G.....	132M	3	724	7.9	7.5	7.2	0.69	83.5	83.5	82.9	4.7	2.0	2.5	0.0577	79
TCA3P74A.1..G.....	160M	3.7	732	-	-	8.8	0.69	84.5	84.5	85.4	5.5	1.8	2.5	0.1312	134
TCA0044A.1..G.....	160M	4	730	10.4	9.9	9.5	0.69	84.8	84.8	85.5	5.3	1.8	2.4	0.1312	134
TCA5P54A.1..G.....	160M	5.5	729	13.5	12.8	12.3	0.72	86.2	86.2	87.0	5.3	1.7	2.3	0.1674	149
TCA7P54A.1..G.....	160L	7.5	728	18.1	17.2	16.6	0.72	87.3	87.3	87.8	5.4	1.8	2.3	0.2040	173
TCA0114A.1..G.....	180L	11	730	25.8	24.5	23.7	0.73	88.6	88.6	89.5	6.5	1.8	3.0	0.3337	229
TCA0154A.1..G.....	200L	15	739	36	34	33	0.71	89.6	89.6	89.0	5.5	2.0	2.6	0.7327	312
TCA18P4A.1..G.....	225S	18.5	738	41	38	37	0.77	90.1	90.1	90.5	5.2	1.7	2.3	0.8781	372
TCA0224A.1..G.....	225M	22	738	47	45	43	0.78	90.6	90.6	91.1	5.2	1.7	2.3	1.045	375
TCA0304A.1..G.....	250M	30	739	63	60	58	0.79	91.3	91.3	92.8	5.3	1.9	2.3	2.162	564
TCA0374A.1..G.....	280S	37	742	79	75	72	0.78	91.8	91.8	92.0	6.0	2.1	2.4	3.258	720
TCA0454A.1..G.....	280M	45	742	96	91	88	0.77	92.2	92.2	92.6	5.9	2.1	2.4	3.533	768
TCA0554A.1..G.....	315S	55	742	125	119	115	0.72	92.5	92.5	91.4	4.7	1.8	2.1	3.790	887
TCA0754A.1..G.....	315S	75	743	168	159	154	0.73	93.1	93.1	92.1	4.8	1.9	2.1	4.830	898
TCA0904A.1..G.....	315S	90	743	201	191	184	0.73	93.4	93.4	92.6	4.9	1.9	2.1	5.662	914
TCA1104A.1..G.....	355M	110	743	220	209	202	0.81	93.7	93.7	94.2	6.0	1.5	2.5	7.832	1548
TCA1324A.1..G.....	355M	132	742	260	247	238	0.82	94.0	94.0	94.5	6.0	1.5	2.4	8.926	1640
TCA1504A.1..G.....	355M	150	742	295	280	270	0.82	94.2	94.2	94.7	6.0	1.5	2.4	9.910	1731
TCA1604A.1..G.....	355M	160	742	314	299	288	0.82	94.3	94.3	94.8	6.2	1.6	2.5	10.566	1787
TCA2004A.1..G.....	355L	200	742	387	368	354	0.83	94.6	94.6	95.0	6.3	1.7	2.5	13.190	2010

Blue Shaded: For sale by Regal Rexnord operations in India only. Performance per IS:12615
For 60Hz frequency-contact regional sales person

PERFORMANCE DATA - TCA(IE2) SERIES MOTORS (60HZ)

Model No.z	Output Nominal (kW)	Frame Size	Speed (rpm)	Rated current			Power factor	Efficiency	Rated torque (Nm)	Ratios			Moment of Inertia (kgm ²)	Weight (kg)	Bearing (DE)	Bearing (NDE)
				380V (A)	230/460V (A)	460V (A)				100% Load	100% Load	Starting Current (I _{LR} /I _{RATED})				
3600rpm, 2 pole, 60Hz, IP55, Insulation F/B																
TCA 80MA02	0.75	80M	3475	1.78	2.95/1.47		0.83	77.0	2.06	7.2	2.3	2.8	0.0013	18.5	6204-2Z	6204-2Z
TCA 80MB02	1.1	80M	3460	2.37	3.91/1.96		0.84	84.0	3.04	7.5	2.4	2.8	0.0016	20	6204-2Z	6204-2Z
TCA 90S02	1.5	90S	3470	3.14	5.18/2.59		0.85	85.5	4.13	7.8	2.3	2.8	0.0019	23.5	6205-2Z/C3	6205-2Z/C3
TCA 90L02	2.2	90L	3465	4.39	7.25/3.63		0.88	86.5	6.06	7.9	2.4	2.8	0.0024	27	6205-2Z/C3	6205-2Z/C3
TCA 100LA02	3	100L	3475	5.79	9.56/4.78		0.89	88.5	8.24	7.8	2.4	2.8	0.0038	36	6206-2Z/C3	6206-2Z/C3
TCA 112M02	4	112M	3520	7.63	12.6/6.30		0.90	88.5	10.9	8.2	2.2	2.9	0.0101	47	6306-2Z/C3	6206-2Z/C3
TCA 132SA02	5.5	132S	3533	10.5	17.3/8.67		0.89	89.5	14.9	7.6	2.2	2.8	0.0184	75	6308-2Z/C3	6208-2Z/C3
TCA 132SB02	7.5	132S	3530	14.0	23.2/11.6		0.90	90.2	20.3	7.5	2.2	2.9	0.0214	81	6308-2Z/C3	6208-2Z/C3
TCA 160MB02	11	160M	3554	20.6	34.1/17.0		0.89	91.0	29.6	8.1	2.3	2.9	0.0669	135	6309-2Z/C3	6209-2Z/C3
TCA 160MC02	15	160M	3552	28.1	46.5/23.2		0.89	91.0	40.3	8.1	2.3	2.9	0.0754	148	6309-2Z/C3	6209-2Z/C3
TCA 160LA02	18.5	160L	3553	34.1	56.3/28.1		0.90	91.7	49.7	8.2	2.3	2.8	0.0928	172	6309-2Z/C3	6209-2Z/C3
TCA 180M02	22	180M	3560	41.4	68.4/34.2		0.88	91.7	59.0	7.8	2.2	2.8	0.1399	207	6311-2Z/C3	6211-2Z/C3
TCA 200LA02	30	200L	3573	56.7	93.7/46.8		0.87	92.4	80.2	7.5	2.2	2.9	0.2430	266	6312C3	6212C3
TCA 200LB02	37	200L	3573	68.7	113/56.7		0.88	93.0	99	7.8	2.2	2.8	0.2934	296	6312C3	6212C3
TCA 225MA02	45	225M	3575	83.0	137/68.6		0.88	93.6	120	7.5	2.2	2.9	0.4264	399	6313C3	6213C3
TCA 250MA02	55	250M	3578	100	166/82.9		0.89	93.6	147	8	2.2	2.9	0.6214	489	6314C3	6314C3
TCA 280S02	75	280S	3579	136	225/112		0.89	94.1	200	7.7	2.1	2.9	1.0790	669	6314C3	6314C3
TCA 280MA02	90	280M	3579	162	267/134		0.89	95.0	240	7.7	2.1	2.9	1.2202	723	6314C3	6314C3
TCA 315S02	110	315S	3580	198		163	0.89	95.0	293	7.8	2.0	2.8	2.0311	975	6316C3	6316C3
TCA 315MB02	132	315M	3580	236		195	0.89	95.4	352	7.8	2.0	2.9	2.1620	1030	6316C3	6316C3
TCA 315LA02	160	315L	3580	286		237	0.89	95.4	427	7.8	2.0	2.8	2.3716	1151	6316C3	6316C3
TCA 315LC02	200	315L	3580	356		294	0.89	95.8	534	7.8	2.0	2.8	3.0911	1231	6316C3	6316C3
TCA 355M02	250	355M	3581	441		364	0.90	95.8	667	8	2.0	2.7	4.0730	1717	6317C3	6317C3
TCA 355LA02	280	355L	3581	493		408	0.90	95.8	747	8	2.0	2.7	4.5985	1840	6317C3	6317C3
TCA 355LB02	315	355L	3581	555		459	0.90	95.8	840	8	2.0	2.7	4.7430	1856	6317C3	6317C3
TCA 355LC02	355	355L	3583	626		517	0.90	95.8	946	8	2.0	2.7	5.7960	2083	6317C3	6317C3
1800rpm, 4-pole, 60Hz, IP55, Insulation F/B																
TCA 80MB04	0.75	80M	1735	1.82	3.01/1.50		0.75	83.5	4.13	7.3	2.4	2.8	0.0031	21.5	6204-2Z	6204-2Z
TCA 90S04	1.1	90S	1745	2.51	4.15/2.07		0.77	86.5	6.02	7.8	2.3	2.8	0.0049	24.5	6205-2Z/C3	6205-2Z/C3
TCA 90L04	1.5	90L	1745	3.42	5.65/2.83		0.77	86.5	8.21	7.5	2.3	2.8	0.0054	27.5	6205-2Z/C3	6205-2Z/C3
TCA 100LA04	2.2	100L	1756	4.55	7.52/3.76		0.82	89.5	12.0	8.0	2.3	2.8	0.0139	39	6206-2Z/C3	6206-2Z/C3
TCA 100LB04	3	100L	1756	6.21	10.3/5.13		0.82	89.5	16.3	8.5	2.4	2.8	0.0145	44	6206-2Z/C3	6206-2Z/C3
TCA 112MB04	4	112M	1758	8.28	13.7/6.84		0.82	89.5	21.7	8.2	2.2	2.7	0.0192	54	6306-2Z/C3	6206-2Z/C3
TCA 132S04	5.5	132S	1768	11.3	18.6/9.29		0.81	91.7	29.7	7.6	2.3	2.7	0.0431	81	6308-2Z/C3	6208-2Z/C3
TCA 132M04	7.5	132M	1767	15.2	25.0/12.5		0.82	91.7	40.5	7.6	2.3	2.8	0.0476	90	6308-2Z/C3	6208-2Z/C3
TCA 160MB04	11	160M	1773	21.5	35.6/17.8		0.84	92.4	59.2	7.5	2.2	2.8	0.1135	147	6309-2Z/C3	6209-2Z/C3
TCA 160LA04	15	160L	1773	28.8	47.6/23.8		0.85	93.0	80.8	7.5	2.2	2.8	0.1466	178	6309-2Z/C3	6209-2Z/C3
TCA 180M04	18.5	180M	1778	36.2	59.8/29.9		0.83	93.6	99	7.6	2.3	2.8	0.1857	212	6311-2Z/C3	6211-2Z/C3
TCA 180LA04	22	180L	1778	43.6	72.0/36.0		0.82	93.6	118	7.6	2.3	2.8	0.2114	232	6311-2Z/C3	6211-2Z/C3
TCA 200LA04	30	200L	1781	57.0	94.2/47.1		0.85	94.1	161	7.6	2.2	2.8	0.4488	271	6312C3	6212C3
TCA 225S04	37	225S	1784	70.0	116/57.8		0.85	94.5	198	7.8	2.2	2.8	0.6101	378	6313C3	6213C3
TCA 225MA04	45	225M	1784	84.7	140/69.9		0.85	95.0	241	7.8	2.2	2.8	0.6984	390	6313C3	6213C3
TCA 250MA04	55	250M	1788	102	168/84.1		0.86	95.4	294	7.8	2.2	2.9	1.4497	535	6314C3	6314C3
TCA 280S04	75	280S	1790	137	227/113		0.87	95.4	400	7.5	2.2	2.9	2.2300	713	6317C3	6317C3
TCA 280MA04	90	280M	1790	165	272/136		0.87	95.4	480	7.5	2.2	2.9	2.3840	755	6317C3	6317C3
TCA 315S04	110	315S	1788	198		164	0.88	95.8	588	7.6	2.1	2.9	3.4482	962	6319C3	6319C3
TCA 315MB04	132	315M	1788	237		196	0.88	96.2	705	7.6	2.1	2.9	4.0682	1016	6319C3	6319C3
TCA 315LA04	160	315L	1788	287		237	0.88	96.2	855	7.6	2.1	2.9	4.6490	1157	6319C3	6319C3
TCA 315LC04	200	315L	1788	355		293	0.89	96.2	1068	7.6	2.1	2.9	5.0620	1246	6319C3	6319C3
TCA 355M04	250	355M	1790	444		366	0.89	96.2	1334	7.8	2.0	2.9	8.4434	1743	6322C3	6322C3
TCA 355LA04	280	355L	1790	497		410	0.89	96.2	1494	7.8	2.0	2.8	9.5039	1802	6322C3	6322C3
TCA 355LB04	315	355L	1790	553		457	0.90	96.2	1681	7.8	2.0	2.8	10.1760	1914	6322C3	6322C3
TCA 355LC04	355	355L	1790	623		515	0.90	96.2	1894	7.8	2.0	2.7	10.9450	1979	6322C3	6322C3

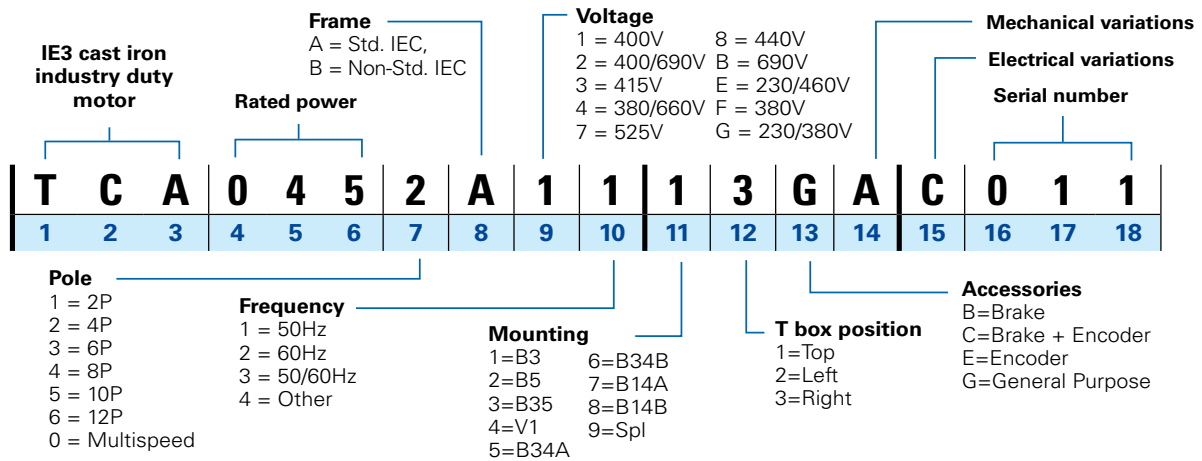
PERFORMANCE DATA - TCA(IE2) SERIES MOTORS (60HZ)

Model No.z	Output Nominal (kW)	Frame Size	Speed (rpm)	Rated current			Power factor	Efficiency	Rated torque (Nm)	Ratios			Moment of Inertia (kgm ²)	Weight (kg)	Bearing (DE)	Bearing (NDE)
				380V (A)	230/460V (A)	460V (A)				100% Load	100% Load	Starting Current (I _{LR} /I _{RATED})				
1200rpm, 6-pole, 60Hz, IP55, Insulation F/B																
TCA 90S06	0.75	90S	1150	2.00	3.31/1.65		0.69	82.5	6.23	6.8	2.2	2.5	0.0042	26	6205-2Z	6205-2Z
TCA 90L06	1.1	90L	1150	2.77	4.57/2.29		0.69	87.5	9.1	6.8	2.2	2.6	0.0062	33	6205-2Z	6205-2Z
TCA 100L06	1.5	100L	1175	3.68	6.08/3.04		0.70	88.5	12.2	8.0	2.1	2.5	0.0225	43	6206-2Z/C3	6206-2Z/C3
TCA 112M06	2.2	112M	1165	4.98	8.23/4.11		0.75	89.5	18.0	7.3	2.1	2.6	0.0226	55	6306-2Z/C3	6206-2Z/C3
TCA 132SA06	3	132S	1175	6.88	11.4/5.69		0.74	89.5	24.4	6.8	1.8	2.4	0.0585	75	6308-2Z/C3	6208-2Z/C3
TCA 132MA06	4	132M	1175	9.18	15.2/7.58		0.74	89.5	32.5	6.8	1.8	2.4	0.0598	78	6308-2Z/C3	6208-2Z/C3
TCA 132MB06	5.5	132M	1175	12.1	20.0/9.98		0.76	91.0	44.7	6.8	1.8	2.3	0.0785	87	6308-2Z/C3	6208-2Z/C3
TCA 160M06	7.5	160M	1179	15.7	25.9/12.9		0.80	91.0	60.8	7.0	2.0	2.4	0.1355	135	6309-2Z/C3	6209-2Z/C3
TCA 160LB06	11	160L	1180	22.8	37.6/18.8		0.80	91.7	89	7.0	2.1	2.4	0.1811	163	6309-2Z/C3	6209-2Z/C3
TCA 180LA06	15	180L	1180	31.5	52.0/26.0		0.79	91.7	121	7.1	2.1	2.4	0.3035	221	6311-2Z/C3	6211-2Z/C3
TCA 200LA06	18.5	200L	1187	37.8	62.4/31.2		0.80	93.0	149	7.1	2.0	2.5	0.5179	256	6312C3	6212C3
TCA 200LB06	22	200L	1187	44.9	74.2/37.1		0.80	93.0	177	7.1	2.0	2.5	0.6070	277	6312C3	6212C3
TCA 225MA06	30	225M	1185	58.4	96.4/48.2		0.83	94.1	242	7.3	2.1	2.5	0.9206	377	6313C3	6213C3
TCA 250MA06	37	250M	1187	71.1	118/58.8		0.84	94.1	298	7.3	2.1	2.6	1.6080	488	6314C3	6314C3
TCA 280S06	45	280S	1190	87.2	144/72.0		0.83	94.5	361	7.0	2.0	2.4	2.2380	593	6317C3	6317C3
TCA 280MA06	55	280M	1190	107	176/88.0		0.83	94.5	441	7.0	2.1	2.5	2.6730	616	6317C3	6317C3
TCA 315S06	75	315S	1190	145		119	0.83	95.0	602	7.0	2.0	2.5	3.3734	822	6319C3	6319C3
TCA 315MA06	90	315M	1190	173		143	0.83	95.0	722	7.0	1.8	2.5	3.9282	888	6319C3	6319C3
TCA 315LA06	110	315L	1190	210		174	0.83	95.8	883	7.0	1.8	2.5	4.7730	1013	6319C3	6319C3
TCA 315LC06	132	315L	1190	252		208	0.83	95.8	1059	7.0	1.8	2.5	5.4662	1084	6319C3	6319C3
TCA 355MA06	160	355M	1190	302		250	0.84	95.8	1284	7.3	1.8	2.4	8.5700	1618	6322C3	6322C3
TCA 355MB06	200	355M	1190	373		308	0.85	95.8	1605	7.3	1.8	2.5	9.9150	1735	6322C3	6322C3
TCA 355LB06	250	355L	1190	466		385	0.85	95.8	2006	7.3	1.8	2.5	11.7080	1889	6322C3	6322C3
TCA 355LC06	280	355L	1190	529		437	0.84	95.8	2247	7.3	1.8	2.5	12.7166	1960	6322C3	6322C3
900rpm, 8-pole, 60Hz, IP55, Insulation F/B																
TCA 100LA08	0.75	100L	870	2.29	3.78/1.89		0.66	75.5	8.23	6.0	1.9	2.4	0.0149	36	6206-2Z/C3	6206-2Z/C3
TCA 100LB08	1.1	100L	870	3.18	5.25/2.63		0.67	78.5	12.1	6.0	1.9	2.4	0.0172	38	6206-2Z/C3	6206-2Z/C3
TCA 112M08	1.5	112M	865	3.99	6.59/3.30		0.68	84.0	16.6	6.0	1.9	2.4	0.0200	53	6306-2Z/C3	6206-2Z/C3
TCA 132S08	2.2	132S	875	5.58	9.23/4.61		0.70	85.5	24	6.0	1.9	2.3	0.0453	70	6308-2Z/C3	6208-2Z/C3
TCA 132M08	3	132M	875	7.64	12.6/6.31		0.69	86.5	33	6.0	1.9	2.3	0.0577	79	6308-2Z/C3	6208-2Z/C3
TCA 160MB08	4	160M	880	10.2	16.8/8.41		0.69	86.5	43.4	6.5	1.9	2.4	0.1312	134	6309-2Z/C3	6209-2Z/C3
TCA 160MC08	5.5	160M	880	13.4	22.2/11.1		0.72	86.5	59.7	6.5	1.9	2.4	0.1674	149	6309-2Z/C3	6209-2Z/C3
TCA 160L08	7.5	160L	880	17.7	29.2/14.6		0.72	89.5	81.4	6.5	1.9	2.4	0.2040	173	6309-2Z/C3	6209-2Z/C3
TCA 180LA08	11	180L	880	25.6	42.3/21.1		0.73	89.5	119	6.5	1.9	2.4	0.3337	229	6311-2Z/C3	6211-2Z/C3
TCA 200LA08	15	200L	885	35.6	58.8/29.4		0.71	90.2	162	6.5	1.9	2.4	0.7327	312	6312C3	6212C3
TCA 225S08	18.5	225S	885	40.5	66.9/33.4		0.77	90.2	200	6.5	1.9	2.4	0.8781	372	6313C3	6213C3
TCA 225MA08	22	225M	885	46.7	77.2/38.6		0.78	91.7	237	6.5	1.9	2.4	1.0450	375	6313C3	6213C3
TCA 250MA08	30	250M	890	62.9	104/52.0		0.79	91.7	322	6.5	1.9	2.4	2.1620	564	6314C3	6314C3
TCA 280S08	37	280S	890	78.0	129/64.4		0.78	92.4	397	6.5	1.8	2.4	3.2584	720	6317C3	6317C3
TCA 280M08	45	280M	890	96.1	159/79.4		0.77	92.4	483	6.5	1.8	2.4	3.5330	768	6317C3	6317C3
TCA 315S08	55	315S	890	112		92.2	0.80	93.6	590	6.5	1.8	2.2	3.7900	887	6319C3	6319C3
TCA 315M08	75	315M	890	152		126	0.80	93.6	805	6.5	1.8	2.2	4.8300	898	6319C3	6319C3
TCA 315LA08	90	315L	890	179		148	0.81	94.1	966	6.5	1.8	2.2	5.6620	914	6319C3	6319C3
TCA 315LB08	110	315L	890	219		181	0.81	94.1	1180	6.5	1.8	2.2	7.8323	1161	6319C3	6319C3
TCA 355MB08	132	355M	890	259		214	0.82	94.5	1416	6.5	1.8	2.4	8.9260	1640	6322C3	6322C3
TCA 355MC08	150	355M	890	294		243	0.82	94.5	1610	6.5	1.8	2.4	9.9100	1731	6322C3	6322C3
TCA 355MD08	160	355M	890	314		259	0.82	94.5	1717	6.5	1.8	2.4	10.5660	1787	6322C3	6322C3
TCA 355ME08	185	355M	890	361		298	0.82	95.0	1985	6.5	1.8	2.3	12.0967	1868	6322C3	6322C3
TCA 355LA08	200	355L	890	385		318	0.83	95.0	2146	6.5	1.8	2.4	13.1902	2010	6322C3	6322C3
TCA 355LB08	220	355L	890	424		350	0.83	95.0	2361	6.5	1.8	2.4	14.7210	2098	6322C3	6322C3

TERRAMAX® MOTORS TCA SERIES

PART NUMBER LOGIC

Marathon® TerraMAX® TCA series standard product code for IEC frame motors is shown below.



For additional details, please contact our technical support team.



Industrial Systems
Regal Beloit (Wuxi) Co., Ltd
 6 Xiangge Rd HudaiTown Wuxi China
 Phone: +86 510 81831600
 market.wuxi@regalrexnord.com

The proper selection and application of products and components, including assuring that the product is safe for its intended use, are the responsibility of the customer. To view our Application Considerations, please visit <https://www.regalrexnord.com/Application-Considerations>.

To view our Standard Terms and Conditions of Sale, please visit <https://www.regalrexnord.com/Terms-and-Conditions-of-Sale> (which may redirect to other website locations based on product family).

The following trademarks and/or trade names are not owned or controlled by Regal Rexnord Corporation: CCC is a trademark of Certification and Accreditation Administration of the People's Republic of China; CE is a trademark of European Unions; UL is a trademark of Underwriters Laboratories.

"Regal Rexnord" is not indicative of legal entity. Refer to product purchase documentation for the applicable legal entity

Regal Rexnord, Marathon and TerraMAX are trademarks of Regal Rexnord Corporation or one of its affiliated companies.

©2023 Regal Rexnord Corporation. All Rights Reserved.

MCSSP23048E • Form# SB0374E

