



MAGNAPLUS[®] GENERATORS

RATINGS: 5KW - 430KW (60HZ) AND 5KVA - 420KVA (50HZ)

SEPTEMBER 2022



MAGNAPLUS[®]

RegalRexnord[™]



Hurricanes, severe storms, and infrastructure failures. They all can mean a devastating power outage for your business.

A dependable industrial generator is one of the best investments you can make to reduce potential loss and ensure your business remains operational in the event of a power outage.

Ruggedly constructed with solid state technology, Marathon's MagnaPlus® Generators deliver reliable, powerful performance and are easy to install.

Its unique design features make MagnaPLUS® the ideal general purpose generator for standby applications such as:

- **Commercial**
- **Telecommunications**



CHOICE

Selection abounds with models ranging from 5–430 kW (60 Hz) and 5–420 kVA (50 Hz). All three-phase generators are 12-lead reconnectable, providing voltage and phase flexibility. Conduit boxes are designed to allow easy installation of accessories.

EASY-MOUNT SAE ADAPTERS

Provided with every generator, adapters are designed with easy-drive disc access to simplify mounting to all popular engines. Generator foot mounting location is unaffected by adapter changes.

CLASS H INSULATION SYSTEM

Insulation utilizes an unsaturated polyester varnish for extended life and moisture protection. An epoxy overcoat is added for increased environmental protection. Field windings are wet wound with epoxy and designed to withstand overspeeds of 125%. All windings are 100% copper with class H insulation.

LINK BOARDS

These are standard to simplify voltage reconnection and support lead termination.

OPTIMIZED ELECTRICAL DESIGN

Designed with four-pole, brushless features, MagnaPlus utilizes a 2/3 pitch winding to minimize harmonic distortion. The main rotor, utilizing Marathon Generators unirotor construction, provides exceptional waveshape and voltage balance.

FULLY GUARDED

The generator is fully guarded for operator safety and generator protection. No rotating or electrically energized parts are exposed. All openings are covered by louvers or screens.

BEARINGS

Bearings are double shielded and pre-lubricated to resist contamination and ensure maximum bearing life.

VOLTAGE REGULATION

MagnaPlus® comes standard with a SE350 Voltage Regulator, which is encapsulated for reliable performance in a wide range of environments. The SE350 regulator provides 1% regulation, underspeed protection, stability adjustment to optimize transient performance, and EMI filtering to commercial standards.

MagnaPlus is also available with a field-mountable, permanent magnet generator (PMG), coupled with either our PM500 voltage regulator or DVR®2400 digital voltage regulators.

DESIGN SPECS AND AGENCY APPROVALS*

- Fully UL®* Listed
- CE®* Certified
- CSA®* Certified
- NEMA®* MG1-32
- And the relevant section of other standards, including IEC® 60034

*The following trademarks are not owned by, or under the control of Regal Rexnord Corporation: CE is a trademark or tradename of European Unions; CSA is a trademark or tradename of CSA Group; IEC is a trademark or tradename of International Electrotechnical Commission; NEMA is a trademark or tradename of National Electrical Manufacturers Association; UL is a trademark or trade name of Underwriters Laboratories.

PM500



DVR®2400



SE350



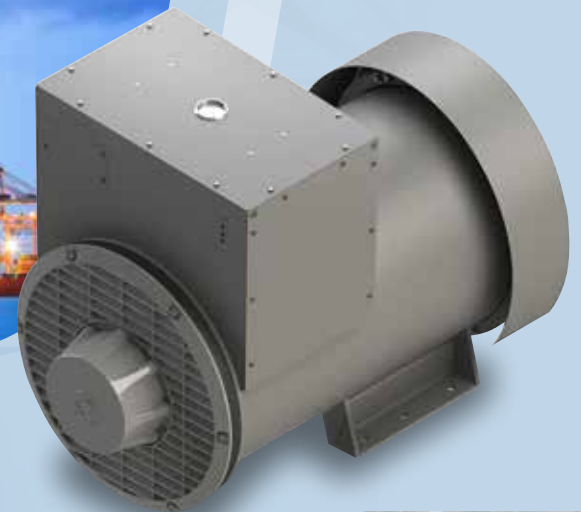
Dependable power for the harshest applications

MagnaPlus generators are built to withstand rigorous installations.

But sometimes the work environment is more demanding. Marine, mining, and agricultural applications can expose your generator to high levels of dust, grit or humidity.

Marathon's Harsh Duty and Mariner generators deliver a robust solution. Beginning with the same durable components as the MagnaPlus, these rugged units are built with an added level of protection against the elements.

- Exciter stator coils are toroidally wrapped in fiberglass tape, fully encapsulating the winding.
- Main stator windings receive multiple dip and bake cycles with 100% solid varnish.
- Exciter stator is coated with a top coat finish varnish for maximum protection.
- A single-piece lamination and wet-layer winding provide the most reliable rotor construction on the market.



60
Hertz**Three Phase**
12 Leads ④**1800 RPM**
480 or 240 Volt**0.8 PF, 40°C Ambient**
NEMA Class H Insulation**MAGNAPLUS®**
Standard Models

Base Model	kW Rating @ Designated NEMA®* Rise				
	Continuous			Standby	
	NEMA B 80°C R/R	NEMA F 105°C R/R	NEMA H 125°C R/R	NEMA F 130°C R/R	NEMA H 150°C R/R
12 Lead and Link Board					
282PSL1704	12.5	15	16.5	16.5	17.5
282PSL1705	17	20	21	21	22
283PSL1706	22	25	27	27	29
283PSL1707	25	30	33	33	35
284PSL1708	30	32	35	35	40
284PSL1742	32	36	40	40	45
285PSL1700	38	43	45	45	50
286PSL1701	44	52	58	58	62
361PSL1600	40	45	48	48	50
361PSL1601	49	55	60	60	65
361PSL1602	58	65	70	70	76
362PSL1604	75	84	90	90	95
362PSL1606	80	96	105	105	113
363PSL1607	110	125	135	135	150
364PSL1608	125	145	155	155	160
364PSL1609	135	160	180	180	185
431PSL6202	125	142	151	155	160
431PSL6204	143	170	180	181	190
431PSL6206	165	200	211	215	225
431PSL6208	180	211	226	230	240
432PSL6210	220	260	275	280	291
432PSL6212	230	275	300	300	310
433PSL6216	280	342	375	380	400
433PSL6220	310	375	403	415	430

60
Hertz**4-Pole, Three Phase**
Dedicated Design**1800 RPM**
600Y/ 346 Volts**0.8 PF, 40°C Ambient**
NEMA Class H Insulation**MAGNAPLUS®**
Standard Models

Base Model	kW Rating @ Designated NEMA®* Rise				
	Continuous			Standby	
	NEMA B 80°C R/R	NEMA F 105°C R/R	NEMA H 125°C R/R	NEMA F 130°C R/R	NEMA H 150°C R/R
4 Leads and Link Board					
282PSL5249	17	20	21	21	22
283PSL5250	22	25	27	27	29
283PSL5251	25	30	33	33	35
284PSL5252	30	32	35	35	40
284PSL5253	32	36	40	40	45
361PSL1633	49	55	60	60	65
361PSL1634	58	65	70	70	76
362PSL1635	75	84	90	90	95
362PSL1636	80	96	105	105	113
363PSL1658	110	125	135	135	150
431PSL6240	125	140	150	155	160
431PSL6242	140	170	175	180	190
431PSL6243	180	210	225	230	240
432PSL6246	230	275	300	305	310
433PSL6248	310	375	400	410	430

④ All MagnaPlus® models have link board as standard.

*NEMA is a trademark or tradename of National Electrical Manufacturers Association and is not owned by or under the control of Regal Rexnord Corporation.

60
Hertz**Single Phase**
12 Leads ④**1800 RPM**
120 Volt or 120/240 Volt**40°C Ambient**
NEMA Class H Insulation**MAGNAPLUS®**
Standard Models

Base Model	kW Rating @ Designated NEMA®* Rise									
	0.8 Power Factor Lagging					1.0 Power Factor				
	Continuous			Standby		Continuous			Standby	
	NEMA B 80°C R/R	NEMA F 105°C R/R	NEMA H 125°C R/R	NEMA F 130°C R/R	NEMA H 150°C R/R	NEMA B 80°C R/R	NEMA F 105°C R/R	NEMA H 125°C R/R	NEMA F 130°C R/R	NEMA H 150°C R/R
12 Lead Reconnectable and Link Board										
282PSL1704	8	8	10.5	10.5	11	10.5	12.5	14	14	15
282PSL1705	11	11	13.5	13.5	14	14	16	17.5	17.5	18.5
283PSL1706	13	13	16	16	17	17	20	21	21	23
283PSL1707	15	15	18	18	20	19	22	25	25	26
284PSL1708	19	19	23	23	25	25	28	30	30	32
284PSL1742	20	20	25	25	27	25	30	32	32	35
285PSL1700	21	21	28	28	30	30	35	37	37	40
285PSL1701	24	24	32	32	34	32	38	42	42	45
361PSL1600	25	25	30	30	32	31	36	38	39	40
361PSL1601	30	30	35	35	37	38	42	45	45	48
361PSL1602	35	35	42	42	45	45	51	55	55	60
362PSL1604	41	41	50	51	54	53	61	66	66	71
362PSL1606	49	49	59	60	64	66	76	78	79	85
363PSL1607	60	60	72	73	78	80	90	95	97	100
364PSL1608	65	80	85	85	95	90	100	105	110	115
364PSL1609	75	90	95	95	105	100	110	120	125	130
431PSL6202	77	77	95	96	100	96	115	120	121	125
431PSL6204	85	85	106	107	110	106	125	133	135	140
431PSL6206	105	105	130	132	135	131	150	165	166	175
431PSL6208	105	105	130	132	136	131	150	165	166	175
432PSL6210	125	125	158	161	165	156	185	200	201	206
432PSL6212	125	125	158	161	165	156	185	200	201	206
433PSL6216	150	342	190	193	200	190	220	240	241	250
433PSL6220	150	375	190	193	200	190	220	240	241	250

For 120 volt only service, use an SE350EL voltage regulator to replace the standard SE350E regulator.

60
Hertz**Dedicated Single Phase**
4 Leads ④**1800 RPM**
120 Volt or 120/240 Volt**40°C Ambient**
NEMA Class H Insulation**MAGNAPLUS®**
Standard Models

Base Model	kW Rating @ Designated NEMA®* Rise									
	0.8 Power Factor Lagging					1.0 Power Factor				
	Continuous			Standby		Continuous			Standby	
	NEMA B 80°C R/R	NEMA F 105°C R/R	NEMA H 125°C R/R	NEMA F 130°C R/R	NEMA H 150°C R/R	NEMA B 80°C R/R	NEMA F 105°C R/R	NEMA H 125°C R/R	NEMA F 130°C R/R	NEMA H 150°C R/R
4 Lead and Link Board										
282PSL1714	7	7.7	8.4	8.5	9	10.5	12	13	13	13.5
282PSL1715	10	11	12	12	12.5	15	17	18	18	20
282PSL1716	12	14	15	15	16	18	20	22	22	25
283PSL1717	15	17	18.5	18.5	20	22	25	27	27	30
283PSL1718	17	20	22	22	23	26	30	32	32	35
284PSL1750	23	26	27	27	30	34	38	41	41	45
361PSL1613	38	43	47	47	50	50	55	60	60	65
362PSL1615	48	54	59	60	65	65	70	75	75	80
363PSL1617	50	58	66	66	70	75	90	100	100	105
431PSL6224	80	90	100	100	110	130	145	155	155	165
431PSL6226	85	100	110	110	115	135	155	175	175	185
432PSL6228	125	145	155	155	170	170	195	210	210	225

④ All MagnaPlus® models have link board as standard.

*NEMA is a trademark or tradename of National Electrical Manufacturers Association and is not owned by or under the control of Regal Rexnord Corporation.

**50
Hertz****Three Phase
12 Leads ④****1500 RPM
200Y or 400Y Volts****0.8 PF, 40°C Ambient
NEMA Class H Insulation****MAGNAPLUS®**
Standard Models

Base Model	kW Rating @ Designated NEMA Rise									
	Continuous						Standby			
	NEMA F 80°C R/R		NEMA F 105°C R/R		NEMA H 125°C R/R		NEMA F 130°C R/R		NEMA H 150°C R/R	
	kVA	kW	kVA	kW	kVA	kW	kVA	kW	kVA	kW
12 Lead and Link Board as Standard										
282PSL1704	11.7	9.3	13.8	11	15	12	15	12	16.3	13
282PSL1705	15	12	17.5	14	20	16	20	16	21.3	17
283PSL1706	20.6	16.5	23	19	26	21	26	21	27	22
283PSL1707	22	18	26	21	30	24	30	24	32	26
284PSL1708	27	22	30	24	33	27	33	27	36	29
284PSL1742	28	23	33	27	38	31	38	31	41	33
285PSL1700	35	28	40	32	43	35	43	35	47	38
286PSL1701	41	33	50	40	55	44	55	44	58	47
361PSL1600	39	31	44	36	48	38	48	38	51	41
361PSL1601	46	37	52	42	57	46	57	46	61	49
361PSL1602	53	43	62	50	67	54	68	54	75	60
362PSL1604	70	57	81	65	88	70	88	70	94	75
362PSL1606	78	63	93	75	100	80	100	80	110	88
363PSL1607	96	77	113	90	130	104	130	104	133	106
364PSL1608	123	98	141	113	153	122	153	122	160	128
364PSL1609	125	100	156	125	169	135	169	135	180	144
431PSL6202	123	98	141	113	150	120	153	122	160	128
431PSL6204	141	113	165	132	175	140	180	144	185	148
431PSL6206	161	129	193	154	206	165	210	168	220	176
431PSL6208	180	144	210	168	225	180	230	184	235	188
432PSL6210	211	169	251	201	270	216	275	220	285	228
432PSL6212	230	184	271	217	300	240	300	240	306	245
433PSL6216	270	216	331	265	360	288	370	296	385	308
433PSL6220	305	244	368	294	400	320	405	324	420	336

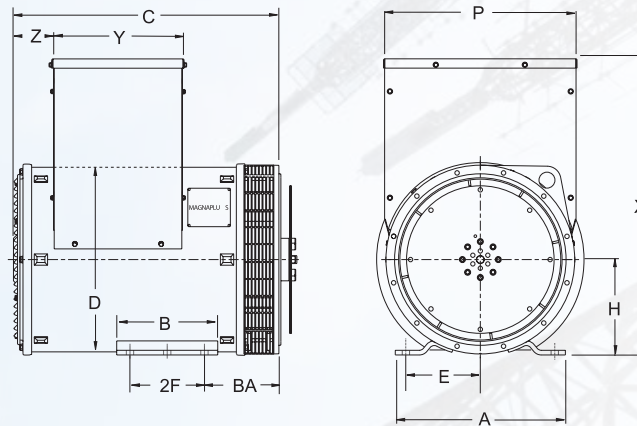
For more information,
visit www.regalrexnord.com

④ All MagnaPlus® models have link board as standard.

*NEMA is a trademark or tradename of National Electrical Manufacturers Association and is not owned by or under the control of Regal Rexnord Corporation.

Dimensions in inches and (millimeters)

All dimensions are approximate. Contact Regal Rexnord for full dimensional data.

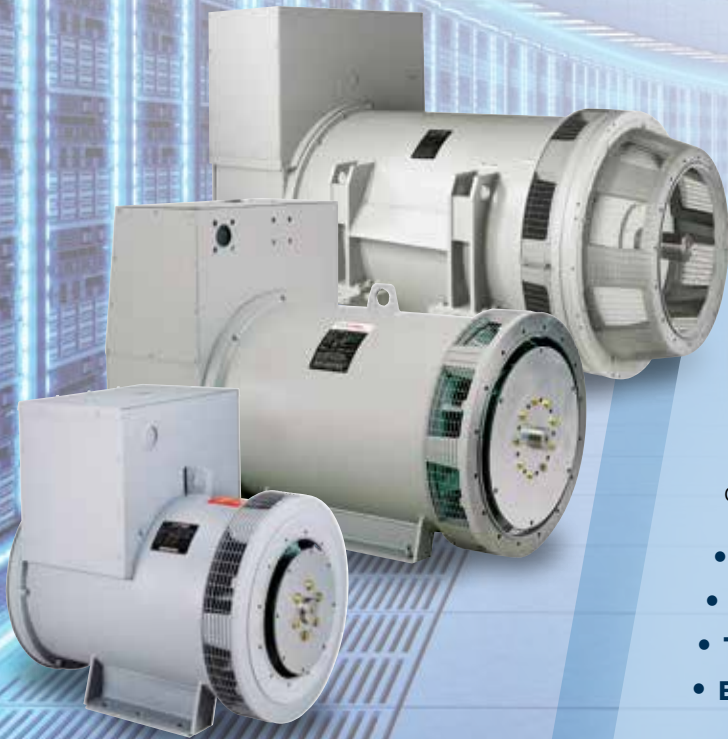


280-430 frame

Frame size	A	B	BA	C	C with PMG	D	E	2F	H	P	X	Y	Z
282	14.00 (356)	7.00 (178)	6.56 (167)	18.50 (470)	23.10 (587)	13.64 (346)	6.25 (159)	5.00 (127)	8.00 (203)	13.55 (344)	18.56 (471)	8.93 (227)	3.42 (87)
283	14.00 (356)	7.00 (178)	6.56 (167)	20.50 (521)	25.10 (638)	13.64 (346)	6.25 (159)	5.00 (127)	8.00 (203)	13.55 (344)	18.56 (471)	8.93 (227)	3.42 (87)
284	14.00 (356)	7.00 (178)	6.56 (167)	22.75 (578)	27.40 (696)	13.64 (346)	6.25 (159)	5.00 (127)	8.00 (203)	13.55 (344)	18.56 (471)	8.93 (227)	3.42 (87)
285	14.00 (356)	7.00 (178)	11.56 (294)	25.00 (635)	29.60 (752)	13.64 (346)	6.25 (159)	5.00 (127)	8.00 (203)	13.55 (344)	18.56 (471)	8.93 (227)	3.42 (87)
286	14.00 (356)	7.00 (178)	11.56 (294)	27.00 (686)	31.60 (803)	13.64 (346)	6.25 (159)	5.00 (127)	8.00 (203)	13.55 (344)	18.56 (471)	8.93 (227)	3.42 (87)
361	16.00 (406)	9.50 (241)	7.00 (178)	24.96 (634)	27.56 (700)	17.35 (441)	7.00 (178)	7.00 (178)	9.00 (229)	18.19 (462)	27.85 (707)	12.44 (316)	3.52 (89)
362	16.00 (406)	9.50 (241)	7.00 (178)	28.59 (726)	31.18 (792)	17.35 (441)	7.00 (178)	7.00 (178)	9.00 (229)	18.19 (462)	27.85 (707)	12.44 (316)	3.52 (89)
363	16.00 (406)	9.50 (241)	10.50 (267)	31.72 (806)	34.29 (871)	17.35 (441)	7.00 (178)	7.00 (178)	9.00 (229)	18.19 (462)	27.85 (707)	12.44 (316)	3.52 (89)
364	16.00 (406)	9.50 (241)	10.50 (267)	34.92 (887)	37.28 (947)	17.35 (441)	7.00 (178)	7.00 (178)	9.00 (229)	18.19 (462)	27.85 (707)	12.44 (316)	3.52 (89)
431	21.46 (545)	15.00 (381)	10.00 (254)	33.89 (861)	38.27 (972)	22.64 (575)	9.00 (229)	11.00 (279)	13.00 (330)	24.97 (634)	36.10 (917)	16.00 (406)	2.66 (68)
432	21.46 (545)	15.00 (381)	10.00 (254)	37.39 (950)	41.77 (1061)	22.64 (575)	9.00 (229)	11.00 (279)	13.00 (330)	24.97 (634)	36.10 (917)	16.00 (406)	2.66 (68)
433	21.46 (545)	15.00 (381)	10.00 (254)	42.39 (1077)	46.77 (1188)	22.64 (575)	9.00 (229)	11.00 (279)	13.00 (330)	24.97 (634)	36.10 (917)	16.00 (406)	2.66 (68)

Must have minimum clearance of 6 inches for air flow in to the generator. Additional clearance may be required for servicing.
280 - 430 frame sizes equipped with link board as standard.

Marathon® Generators: The experts in your field



As a leading supplier to the generator market, Marathon Generators is dedicated to designing and manufacturing the highest quality electrical products.

Marathon's commitment to long-term customer support means you get more:

- **Design and application experience**
- **Advanced testing facilities**
- **Technical support staff**
- **Broad product line**

marathon®
Generators

Reliable power ... for the long run

Industrial Systems Regal Rexnord

100 East Randolph Street
Wausau, WI 54402-8003
Phone: 715-675-3359
Fax: 715-675-8026
www.regalrexnord.com

The proper selection and application of products and components, including assuring that the product is safe for its intended use, are the responsibility of the customer. To view our Application Considerations, please visit <https://www.regalrexnord.com/Application-Considerations>

To view our Standard Terms and Conditions of Sale, please visit <https://www.regalrexnord.com/Terms-and-Conditions-of-Sale> (which may redirect to other website locations based on product family).

The following trademarks are not owned by or under the control of Regal Rexnord Corporation: CE is a trademark or tradename of European Unions; CSA is a trademark or tradename of CSA Group; IEC is a trademark or tradename of International Electrotechnical Commission; NEMA is a trademark or tradename of National Electrical Manufacturers Association; UL is a trademark or trade name of Underwriters Laboratories.

"Regal Rexnord" is not indicative of legal entity.

Regal Rexnord, DVR, Marathon and MagnaPlus are trademarks of Regal Rexnord Corporation or one of its affiliated companies. ©2022 Regal Rexnord Corporation. All Rights Reserved.

MCB22036E • Form# SB0304E

RegalRexnord™