

# 260 LIMA<sup>®</sup> MAC GENERATOR

DO ONE THING  
DO IT WELL

**IN WET OR DUSTY ENVIRONMENTS, THE LIMA<sup>®</sup> MAC GENERATOR DELIVERS RELIABLY RUGGED PERFORMANCE AND UNMATCHED MOTOR-STARTING.**

For decades, the LIMA MAC generator has built a reputation for no frills durability. The 260 MAC delivers the same rugged performance as its forerunners, in a leaner unit.

Its heavy duty insulation system, louvered air intake and design simplicity stand up to even the most dust- and moisture-laden applications. It's the ideal partner for an irrigation operation.

- 10, 12, and 15 kW (60 Hz)
- 240V – 480V (60Hz)
- Designed specifically for starting three-phase AC electric motors... again and again
- Delivers 1 hp/kW, Code G induction motor starting capability with 35% voltage dip (80°C rise rating).
- Self-excited and inherently voltage regulated
- With no external voltage regulator or transformers, it provides 4% voltage regulation, virtually maintenance-free
- Inherently provides 500% 3-phase short-circuit support and volts/hertz operation
- Available in one- and two-bearing designs



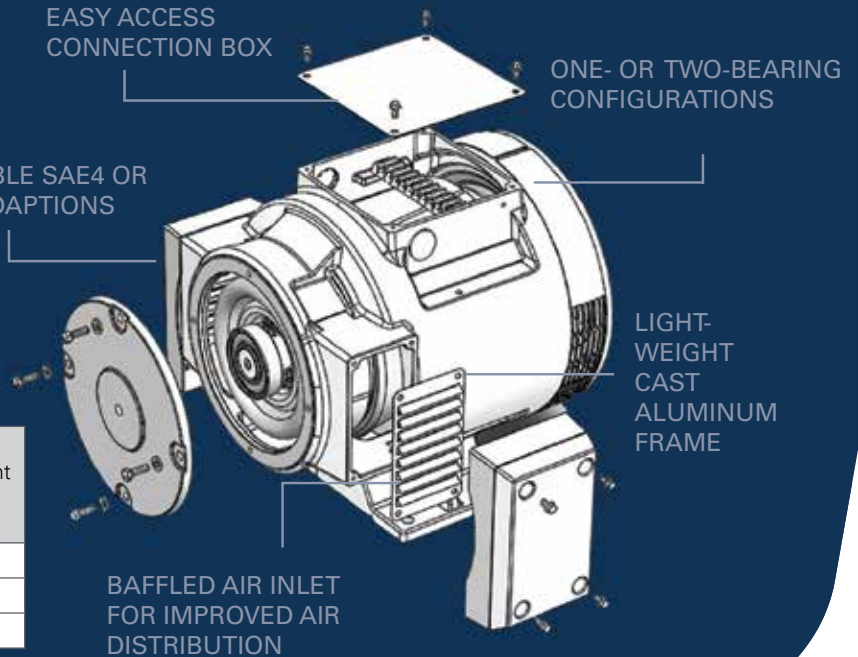
**Field-proven motor application superiority for:**

- Container refrigeration
- Center pivot irrigation systems
- Aggregate processing plants
- Sewage lift stations
- Submersible pump applications
- General-purpose power supply in rental fleets, construction sites and light towers

# 260 LIMA<sup>®</sup> MAC GENERATOR

Same unmatched motor-starting capability

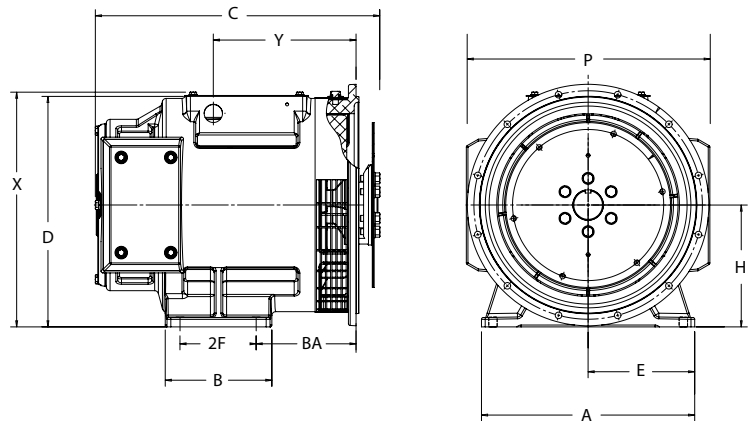
New lighter weight design



Previous Model	New Model 10 Leads 240Y or 480Y 3Ø	3 Phase Continuous NEMA B 80°C R/R	Weight (lbs)
280MSL0054	260MSL1054	10	203
280MSL0055	260MSL1055	12	251
280MSL0056	260MSL1056	15	254

Frame Size	A	B	BA <sup>①</sup>	C <sup>①</sup>	D	E	2F	H	P	X	Y
260	14.00 (356)	7.00 (178)	6.56 (167)	18.49 (470)	15.14 (384)	7.00 (178)	5.00 (127)	8.00 (203)	15.99 (406)	15.41 (391)	9.37 (238)

① Dependent upon adaption used.



**marathon<sup>®</sup>**  
Generators

Reliable power ... for the long run

## Industrial Solutions Regal Rexnord

100 East Randolph Street  
Wausau, WI 54402-8003  
Phone: 715-675-3359  
Fax: 715-675-8026  
www.regalrexnord.com

The proper selection and application of products and components, including assuring that the product is safe for its intended use, are the responsibility of the customer. To view our Application Considerations, please visit <https://www.regalrexnord.com/Application-Considerations>.

To view our Standard Terms and Conditions of Sale, please visit <https://www.regalrexnord.com/Terms-and-Conditions-of-Sale> (which may redirect to other website locations based on product family).

"Regal Rexnord" is not indicative of legal entity. Refer to product purchase documentation for the applicable legal entity. Regal, Lima and Marathon are trademarks and/or tradenames of Regal Rexnord Corporation or one of its affiliated companies. ©2021, 2022 Regal Rexnord Corporation. All Rights Reserved. MCSSP201037E • Form # SB0289E

**RegalRexnord<sup>™</sup>**